

Instant boiling plus ambient
or chilled water with unique
scale protection

AAFIRST
WATER COOLERS
& BOILERS

EZYTAP75

Instant boiling water
and ambient water



Features

Stylish chrome tap with
electronic touch panel
faucet with hot water
safety button.

The EZYTAP75/
EZYTAP7800 boiler
and chiller are discreetly
housed in the cabinet
base unit underneath
the tap.

Unique boiler scale protection in
hard water areas.

The South and Central areas of England are known for high levels of scale – the enemy of boilers! Unlike other under sink boilers, the EZYTAP has separate mains water connections for the boiler and for the ambient/chiller side. The boiler can therefore be protected by a proper **scale removal filter**. A scale removal filter would be too expensive for the ambient/chilled side, which only requires a lower cost carbon block filter. In soft water areas, both the hot and the ambient/chilled inlets can be joined to connect to a single carbon filter.

Attention: only proper scale removal filters will protect a boiler from scale and eliminate the need for constant descaling.

EZYTAP7800

Instant boiling water
and chilled water



AAFIRST CE RoHS

refreshingly different

Instant boiling plus ambient or chilled water with unique scale protection

Specifications and performance

Model	Hourly output			Dimensions (mm)	Temp
	Hot	Ambient	Chilled		
EZYTAP75	14ltr	indefinite	n/a	329h, 220w, 352d	95C max
EZYTAP7800	14ltr	n/a	8ltr	Boiler 329h, 220w, 352d	95C max
				Chiller 290h, 410w, 210d	6 – 10C

EZYTAP75

EZYTAP7800

Description

Tap

- Chrome faucet with electronic controls
- Touch control dispensing taps
- Flashing indicator light when heating
- Hot water safety tap
- Dispensing height of 200mm.



Under sink systems

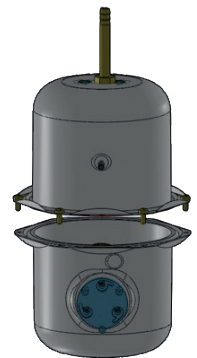
- The EZYTAP75 provides hot and ambient water. Connecting our UC800 under sink chiller creates the EZYTAP7800, which provides hot and chilled water
- The EZYTAP atmospheric boiler includes a powerful 2kW SUS316 ring type heating element with a large heating area and fast heat conduction
- The UC800 is a compressor cooler with a static fan assisted condenser
- It is recommended that the under sink base unit allows 100mm ventilation space around the EZYTAP75/EZYTAP7800.

Drip Trays

- EZYTRAY1: Stand-alone drip tray
- EZYTRAY2: Drip tray connected to the EZYTAP column

Scale protection

- The two separate mains water inlets allow for the installation of a scale removal filter on the boiler inlet and a much more cost-effective taste, odour and turbidity carbon block filter on the ambient/chilled side
- Scale removal filters are expensive and since their effective 'life' is measured in litres of water passing through it, it is important to use it only on the boiler side
- Soft water areas only require a single carbon filter connected to a combined boiler and ambient/chilled inlet
- The EZYTAP boiler can be opened for descaling and servicing.



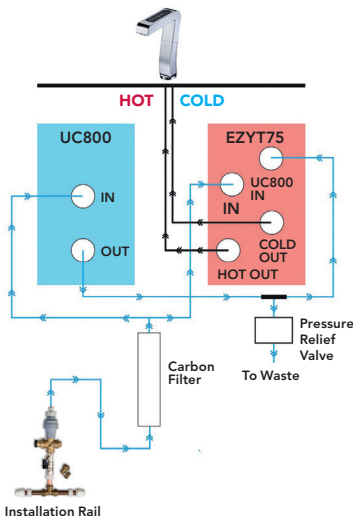
Venting

- An expansion chamber absorbs the steam/water pressure created during boiling and reduces the risk of drips of water or steam from the tap. It is nevertheless recommended to mount the EZYTAP over a sink or drip tray.

EZYTAP installation diagrams

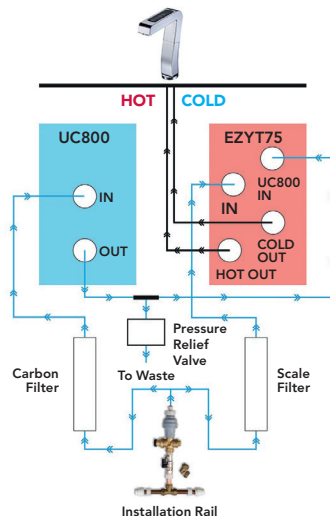
EZYTAP7800 in soft water area

Single carbon block filter for the boiler and the chiller side.



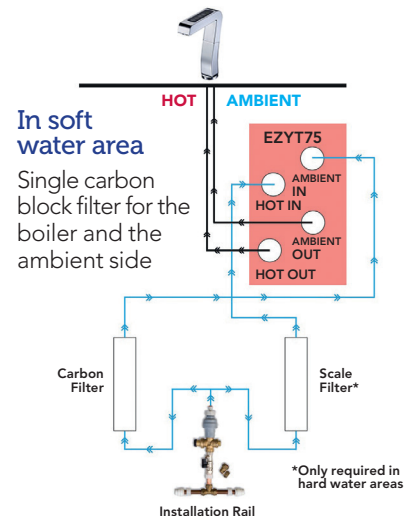
EZYTAP7800 in hard water area

Scale removal filter for the boiler and a carbon block for the chiller side.



EZYTAP75 in hard water area

Scale removal filter for the boiler and a carbon block for the ambient side.



Local distributor



www.aafirst.co.uk